

UNIKA 710 VINTAGE GUN METAL SOUS PLAN



Kitchen Sinks

Code: N157 S86

UNIKA R15 B 710x400 SOUSPLAN VINTAGE GUNMETAL



DETAILS

Coloring Gun Metal

Edge/Installation Type Undermount

Finish PVD

Material AISI 304 stainless steel

Texture Vintage

Base 80 cm

Dimensions 750 x 440 mm

Standard fittings Fixing hooks, gasket, drain, overflow and siphon, boxed packing

Mixer holes No standard holes

Built-in hole [View technical data sheet](#)

Drainer No

Width 75 cm

Bowl dimension 710 x 400 mm

Number of bowls 1 bowl

Waste fitting 3,5" drain

FEATURES

VINTAGE PVD The prestigious PVD finish combines with the care for detail of the Vintage finish, to create a combination of unique elegance.

Gun Metal The Gun Metal finish is obtained by treating steel with a physical process called PVD (Physical Vacuum Deposition) which deposits particles of noble metals on the surface. The result is a unique and refined aesthetic effect, and an improvement of the mechanical properties of the steel which is more resistant to impact and scratches.

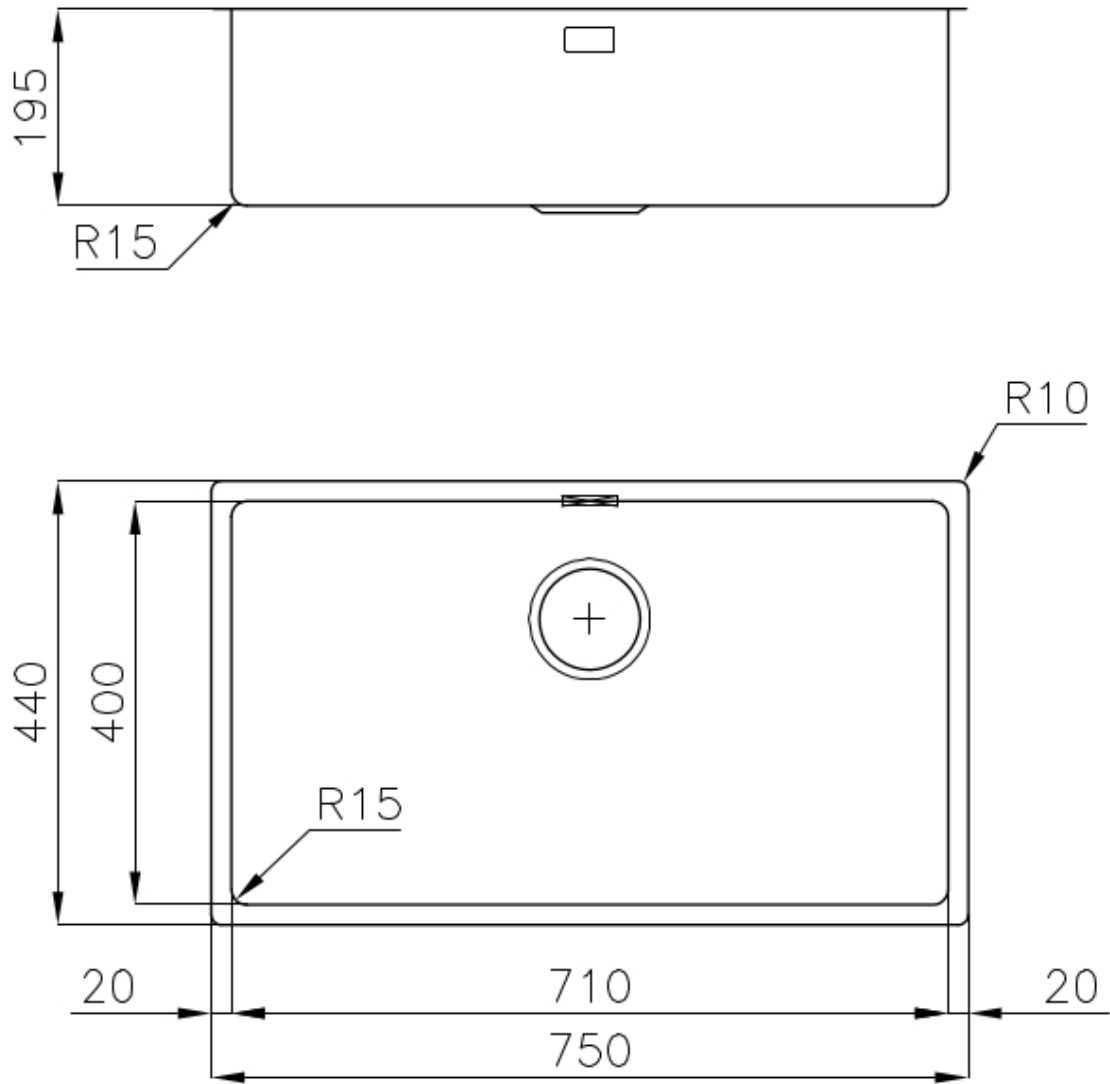
Basket 3,5" waste fitting The drain is equipped with a large 3.5" drain, with the practical basket cap that prevents the discharge of solid parts.

High thickness 1mm thick steel. A significant thickness, which guarantees the maximum sturdiness and durability.

Perimetral overflow The overflow is always a security on the Foster sinks that prevents the overflow of water in case of oversights. The perimeter drain solution improves aesthetics thanks to its square and essential shape.

Small radius Bowls with squared shapes with a modern design and an increased capacity, for a minimal aesthetics connected with an extreme practicality.

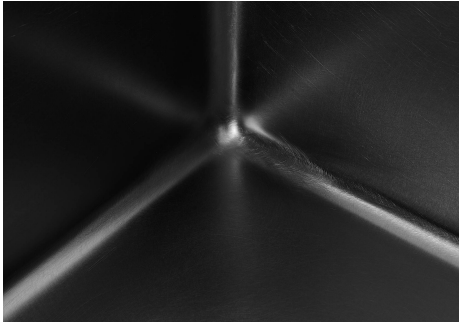
TECHNICAL DATA





Cut out size
Dimensioni per foratura top

GALLERY



OPTIONAL ACCESSORIES



CUVETTE PERFOREE INOX

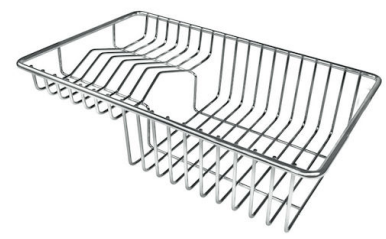
A154 F00

* only in combination with the accessory
A644 F04



CUVETTE PLASTIQUE BLANCHE

A153 A00



GRILLE POR.ASSIETTES INOX

mm214x379

A100 C03

* only in combination with the accessory
A644 A01



GRILLE PORTE-ASSIETTES INOX

25x35

A100 A54

* only in combination with the accessory
A644 F04



PLANCHE DE DECOUPE CRYSTAL

23x41 CM

A631 C00



PLANCHE DE DECOUPE DOUBLE

HDPE

A644 A01



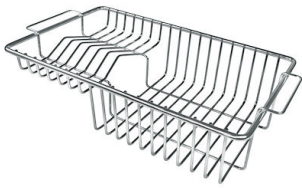
**PLANCHE DE DECOUPE DOUBLE
IROKO**
A644 F04



**PLANCHE DE DECOUPE HDPE
27x42 CM**
A657 F01



CUVETTE INOX PERFOREE
A151 F00
* only in combination with the accessory
A644 A01



**GRILLE PORTE-ASSIETTES INOX
250x425**
A100 B01



**KIT RÂPES ET PLANCHE DE
DECOUPE HDPE**
A159 A01
* only in combination with the accessory
A644 A01

RECOMMENDED PAIRINGS



INCISO GUN METAL
R424 S56



VERONA GUN METAL
R497 S56

OPTIONAL AUTOMATIC WASTE FITTINGS



VIDAGE FADE PUSH GUN METAL

A407 A20